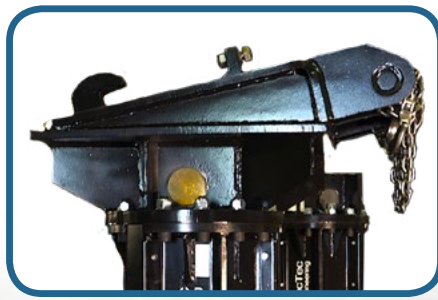
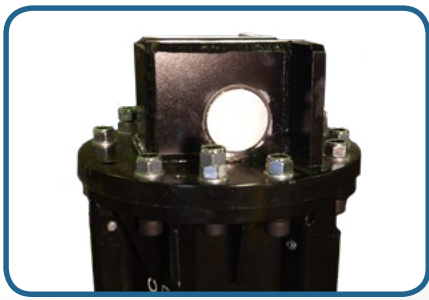




RecTec  
Engineering



Wheel Press  
WP800

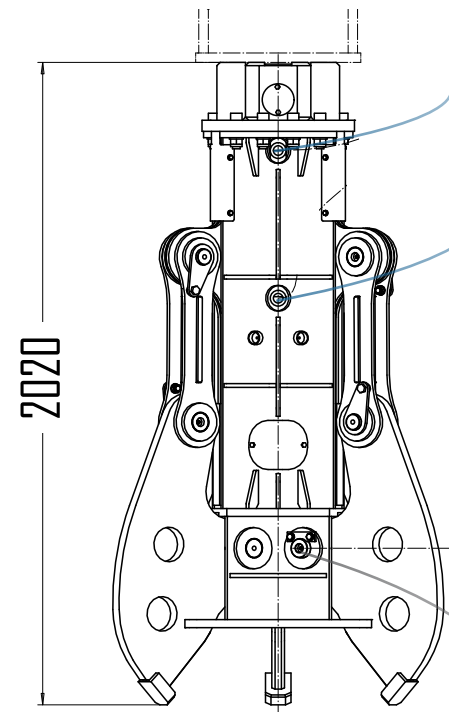


Connection according to customer's specification

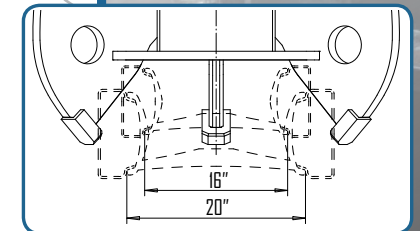
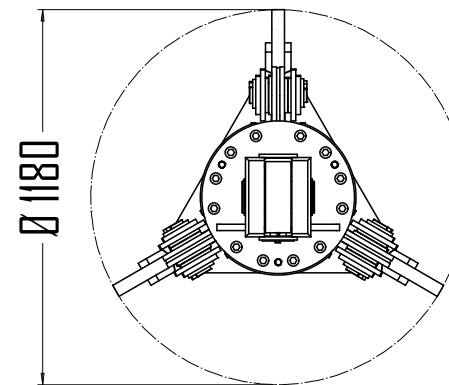
## SPECIFICATIONS

- Weight approx. 1310 kg
- Height 2020 mm and max diameter 1180 mm
- Max pressure 320bar to hydraulic cylinder
- Hydraulic cylinder max pressing force 800 kN (320 bar)
- Flow 140 l/min
- Durable polyurethane paint
- Wheel size up to 20"
- Strength steel
- Excavator size min. 12 tons

Fixing part delivery by customer



Hydraulic pipes to Wheel Press; delivery by customer





RecTec  
Engineering



RecTec Engineering Oy | [www.rectecengineering.fi](http://www.rectecengineering.fi)  
Kuusakoskentie 1, 18600 Myllyoja | PL 97, 18101 Heinola |  
+358 20 730 3540 | [firstname.lastname@rectecengineering.fi](mailto:firstname.lastname@rectecengineering.fi)  
Business identity code: 2691174-2



RecTec  
Engineering